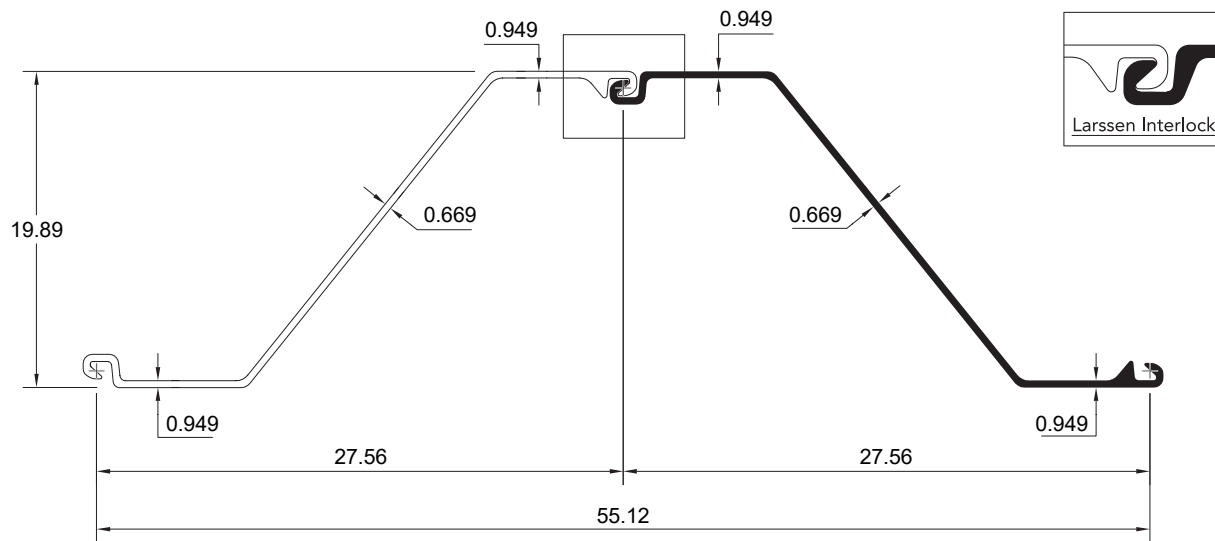


DOUBLE Z HOT ROLLED SHEET PILE SERIES

ZZ52-700



Section	Width (w)	Height (h)	Thickness		Weight		Section Modulus		Moment of Inertia	Cross Sectional Area	Coating Area	
			Flange	Web	Pile	Wall	Elastic	Plastic			Both Sides of Single ¹	Wall Surface
	in (mm)	in (mm)	in (mm)	in (mm)	lb/ft (kg/m)	lb/ft ² (kg/m)	in ³ /ft (cm ³ /m)	in ³ /ft (cm ³ /m)	in ⁴ /ft (cm ⁴ /m)	in ² /ft (cm ² /m)	ft ² /ft (m ² /m)	ft ² /ft ² (m ² /m ²)
ZZ52-700	27.56 700	19.89 505.2	0.949 24.1	0.669 17	117.15 174.3	51.01 249.0	96.0 5162	110.7 5951	954.9 130,403	14.99 317.2	6.76 2.06	1.47 1.47