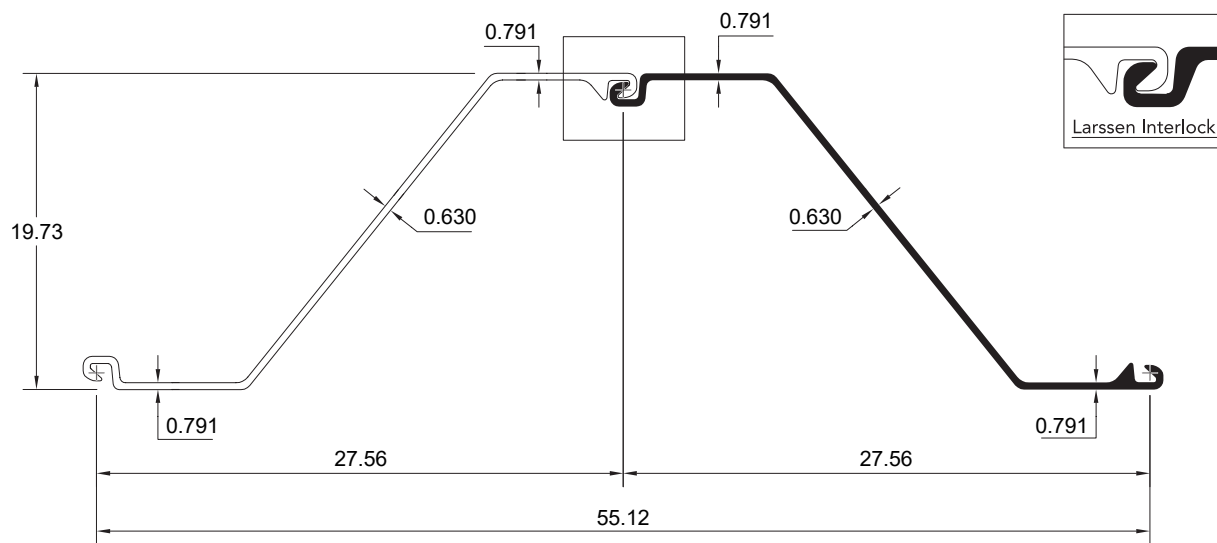


# DOUBLE Z HOT ROLLED SHEET PILE SERIES

## ZZ46-700



Section	Width (w)	Height (h)	Thickness		Weight		Section Modulus		Moment of Inertia	Cross Sectional Area	Coating Area	
			Flange	Web	Pile	Wall	Elastic	Plastic			Both Sides of Single <sup>1</sup>	Wall Surface
			in (mm)	in (mm)	in (mm)	in (mm)	lb/ft (kg/m)	lb/ft <sup>2</sup> (kg/m)			in <sup>3</sup> /ft (cm <sup>3</sup> /m)	in <sup>3</sup> /ft (cm <sup>3</sup> /m)
<b>ZZ46-700</b>	27.56 700	19.73 501.2	0.791 20.1	0.630 16	106.53 158.5	46.38 226.5	86.2 4635	99.4 5343	850.6 116,159	13.63 288.5	6.76 2.06	1.47 1.47